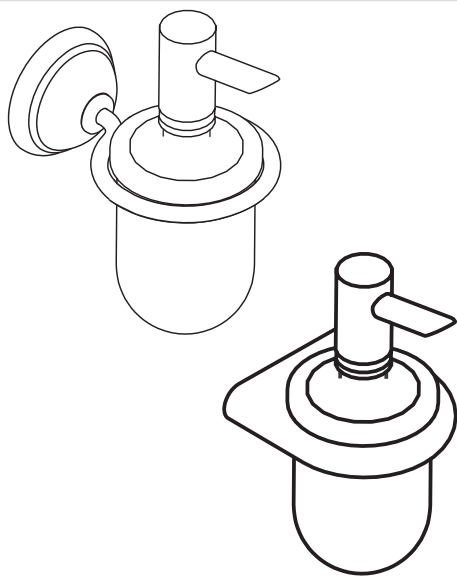


Installation Instructions / Warranty



Accessories

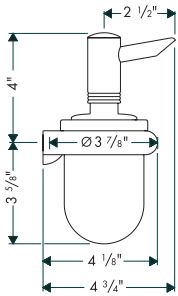
hansgrohe

Interaktiv and Retroaktiv Accessories

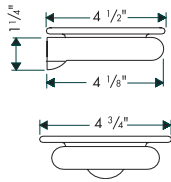
These instructions cover the following models:

Accessory	Interaktiv	Retroaktiv
Tumbler w/holder	06589XX0	06090XX0
Soap dish w/holder	06592XX0	06091XX0
Soap dispenser	06593XX0	06092XX0
Toilet paper holder	06596XX0	06093XX0
Toilet brush	06600XX0	06094XX0
Towel ring	06596XX0	06095XX0
Hook	06594XX0	06096XX0
Robe hook	06595XX0	06099XX0
12" Towel bar	06598XX0	06097XX0
24" Towel bar	06866XX0	06098XX0

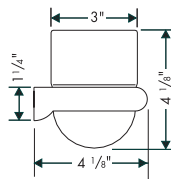
Interaktiv Accessories



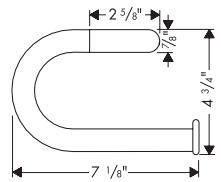
Soap Dispenser
06593XX0



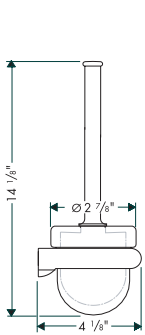
Soap Dish
06592XX0



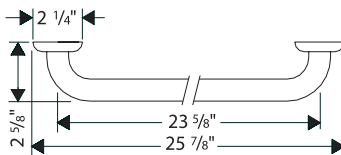
Tumbler
06589XX0



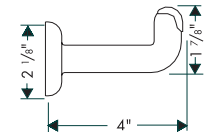
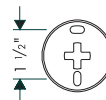
Towel Hook / Toilet
Paper Holder
06596XX0



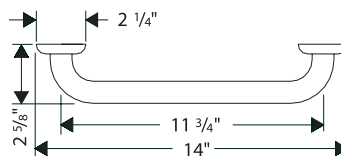
Toilet Brush
06600XX0



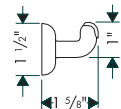
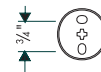
24" Towel Bar
06866XX0



Robe Hook
06595XX0

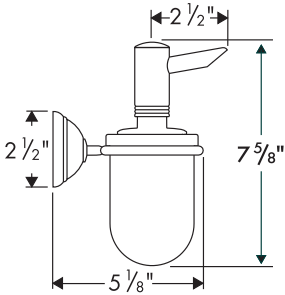


12" Towel Bar
06598XX0

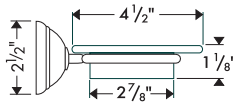


Face Cloth Hook
06594XX0

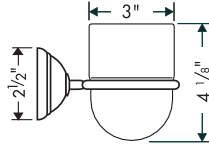
Retroaktiv Accessories



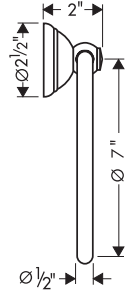
06092XX0
Soap Dispenser



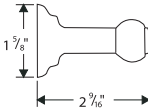
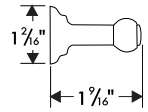
06091XX0
Soap Dish



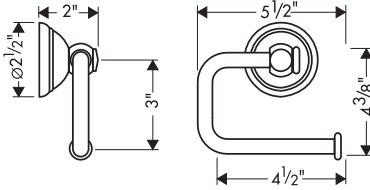
06090XX0
Tumbler



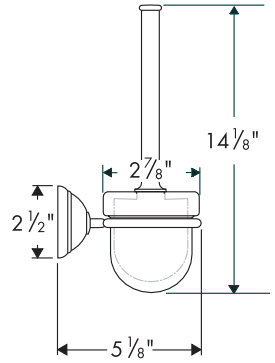
06095XX0
Towel Ring



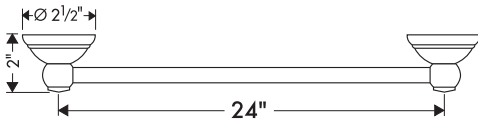
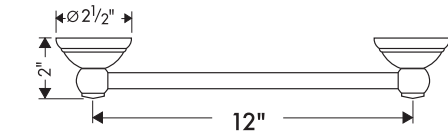
06096XX0
Face Cloth Hook
06099XX0
Robe Hook



06093XX0
Toilet Paper Holder



06094XX0
Toilet Brush



06097XX0
12" Towel Bar
06098XX0
24" Towel Bar

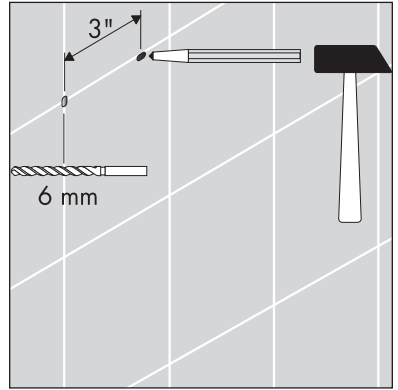
Interaktiv Accessories

Installation Instructions: 06593XX0 soap dispenser, 06589XX0 tumbler, 06592XX0 soap dish, 06600XX0 toilet brush

Mark the positions of the screw holes on the wall. Make sure that they are level.

Drill the screw holes using a 6 mm drill bit suitable for the wall surface.

Install the anchors. Seal around the anchors with a good quality waterproof bathroom sealant.

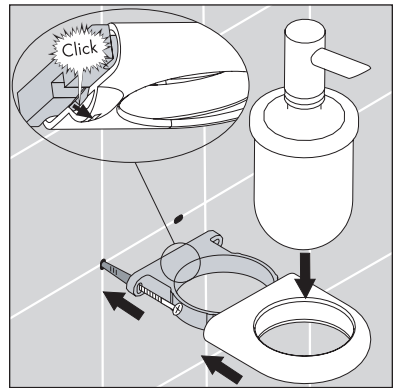


Screw the holder mounting bracket into the anchors. The detent pin on the mounting bracket should be on the bottom.

Slide the holder cover over the mounting bracket so that the detent pin on the mounting bracket clicks into place in the corresponding hole in the cover.

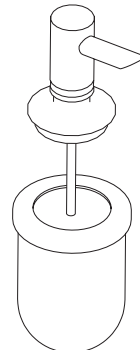
Place the accessory (soap dish/soap dispenser/tumbler/toilet brush cup) into the holder.

The accessory may be removed from the holder for cleaning.



Refilling the soap dispenser

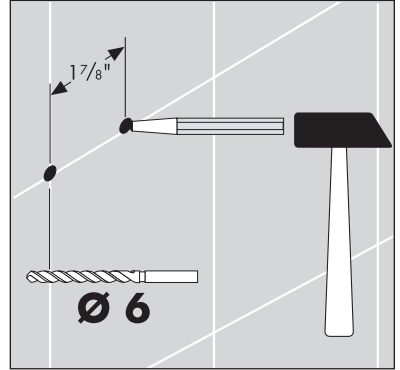
Lift the pump assembly off the bottle. Refill the bottle. Replace the pump assembly.



Installation Instructions: 06596XX0 Towel Ring / Toilet Paper Holder

Mark the positions of the screw holes.

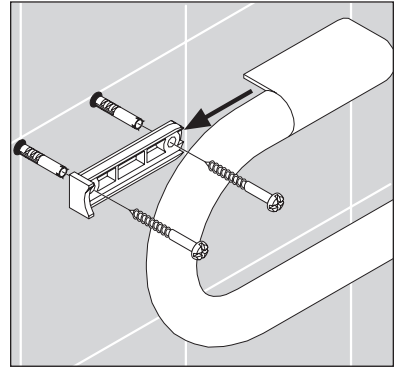
Drill the screw holes using a 6 mm bit suitable for the wall surface.



Install the anchors. Seal around the anchors using waterproof bathroom sealant.

Screw the mounting bracket into the anchors.

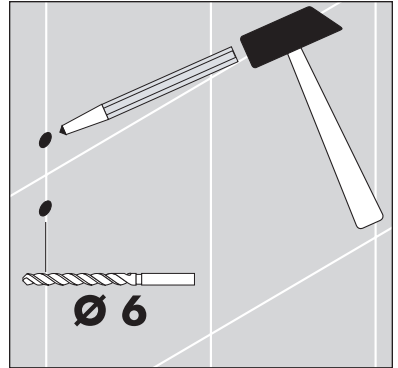
Slide the toilet paper holder over the mounting bracket.



Installation Instructions: 06594XX0 Face Cloth Hook, 06595XX0 Robe Hook

Mark the positions of the screw holes on the wall.

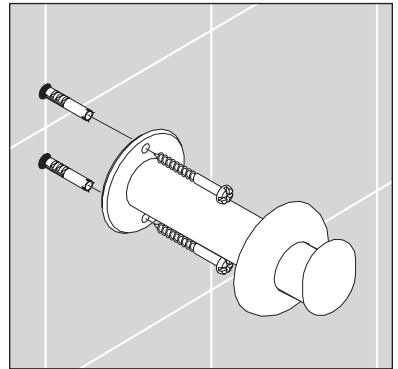
Drill the screw holes with a 6 mm drill bit suitable for the wall surface.



Install the anchors. Seal the wall around the anchors with a waterproof bathroom sealant.

Screw the hook into the wall.

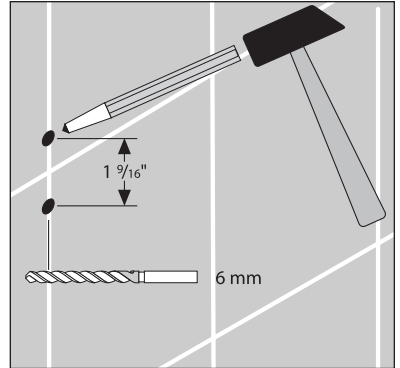
Slide the screw cover against the wall.



Installation Instructions: 06598XX0 Towel Bar, 06866XX0 Towel Bar

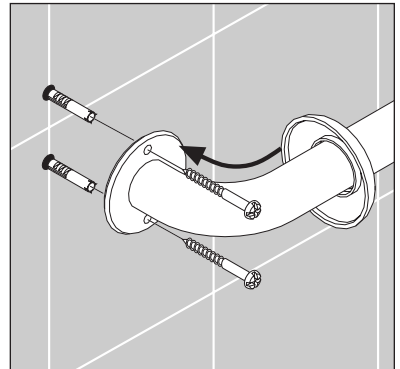
Mark the positions of the screw holes. Make sure that they are level.

Drill the holes using a 6 mm drill bit suitable for the wall surface.



Install the anchors. Seal around the anchors using silicone bathroom sealant.

Screw the towel bar into the anchors. Slide the escutcheon over the screws.



Warning:

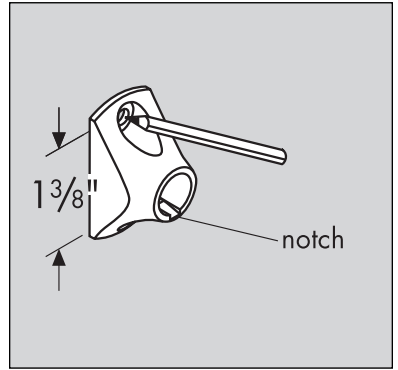
This towel bar is not a grab bar. Attempting to use it as a grab bar may result in injury to the user and/or damage to the wall.

Retroaktiv Accessories

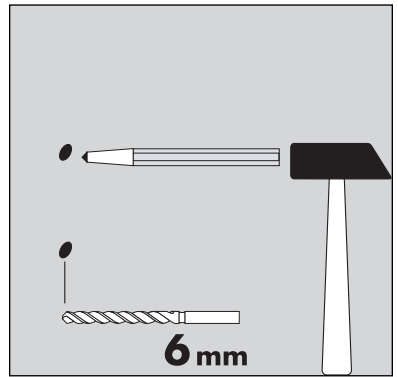
Installation Instructions: 06092XX0 Soap Dispenser, 06091XX0 Soap Dish, 06090XX0 Tumbler, 06093XX0 Toilet Paper Holder, 06094XX0 Toilet Brush, 06095XX0 Towel Ring, 06097XX0 / 06098XX0 Towel Bars

Using the mounting piece as a template, mark the positions of the screw holes.

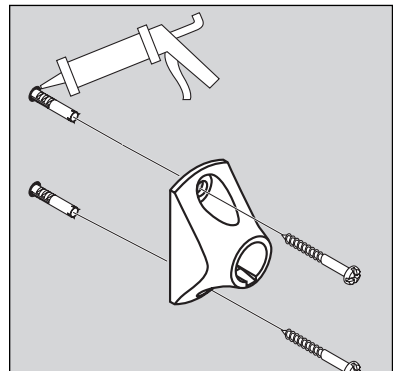
IMPORTANT: Do not "experiment". Do not press the mounting piece into the accessory unless the mounting piece is screwed firmly to the wall!



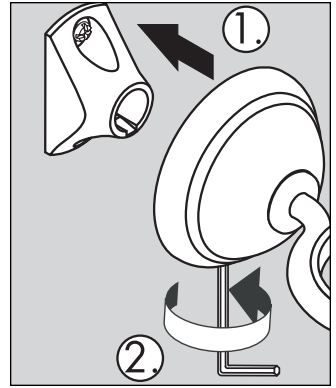
Dimple the tile. Drill the holes with a 6mm bit suitable for the wall surface.



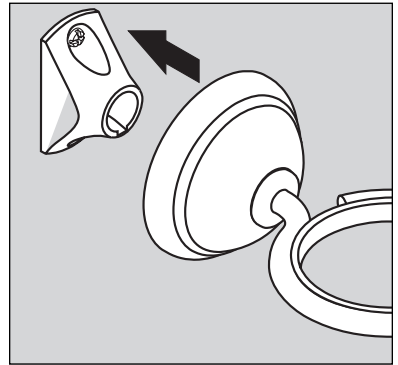
Install the anchors. Seal the wall around the anchors with a compatible, non-staining, waterproof bathroom sealant. Screw the mounting piece to the wall, with the notch on the bottom.



06097 Towel bar only: Press the end pieces over the mounting pieces (1). Use the enclosed allen wrench to tighten the set screws (2)

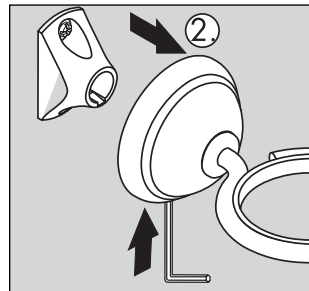


Other accessories and towel bars: Press the accessory firmly over the mounting piece.

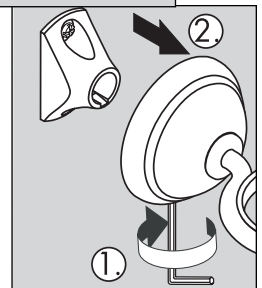


To remove the accessory from the wall

Press a small tool, such as an allen wrench, through the hole in the bottom of the escutcheon, against the retaining pin (1). At the same time, pull out on the holder (2).

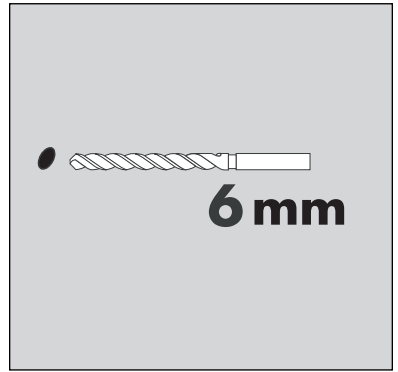


To remove the 06907 towel bar, use the allen wrench to loosen the set screw (1). Pull the accessory away from the wall (2).



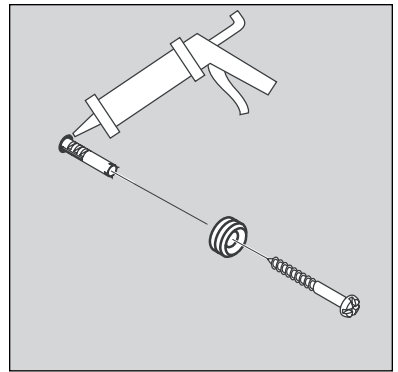
Installation Instructions: 06096XX0 Face Cloth Hook, 06099XX0 Robe Hook

Drill the hole using a 6 mm bit suitable for the wall surface.

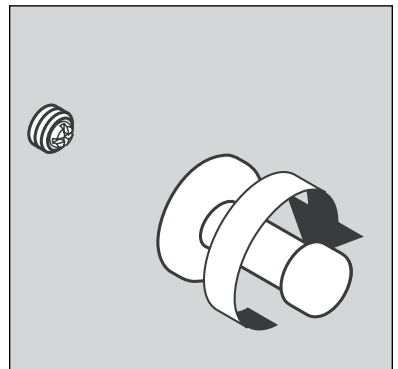


Install the anchor. Seal the wall around the anchor with a suitable, waterproof bathroom sealant.

Screw the mounting piece to the wall.



Screw the hook to the mounting piece.



Cleaning Recommendation for Hansgrohe Products

Modern sanitary faucetry and shower fixtures consist of very different materials to comply with the needs of the market with regard to design and functionality.

To avoid damage and returns, it is necessary to consider certain points when cleaning:

Cleaning materials for faucets and shower products:

Acids are necessary ingredients of cleaning materials for removing lime. However, please pay attention to the following points when cleaning faucets and shower products:

- Use only cleaning materials intended for the application.
- Never use cleaning materials which contain hydrochloric, formic, or phosphoric, or acetic acid, as these can cause considerable damage.
- Do not mix one cleaning material with another.
- Do not use abrasives, such as cleaning powders, sponge pads, or microfiber cloths.

Cleaning Instructions for Faucets and Shower Products:

Please follow the cleaning material manufacturer's instructions. In addition, please note the following:

- Clean your faucets and shower products as and when required.
- Follow the label instructions. Do not allow any cleaner to remain on the product for longer than necessary.
- Regular cleaning will prevent scale buildup and water spotting.
- When using spray cleaners, spray first onto a sponge or cloth. Do not spray directly onto the faucet or shower product as drops could enter openings or gaps and cause damage.
- After cleaning, rinse thoroughly with clear water to remove any cleaner residue.

Important

Residues of liquid soaps, shampoos, and shower foams can also cause damage, so rinse with clean water after using.

Please note:

- If the surface is already damaged, the effect of cleaning materials will cause further damage.
- Components with damaged surfaces must be replaced, otherwise, this could cause injury.
- Damage caused by improper treatment will not be covered by our warranty.

Limited Lifetime Consumer Warranty

This product has been manufactured and tested to the highest quality standards by Hansgrohe, Inc. ("Hansgrohe"). This warranty is limited to Hansgrohe products which are purchased by a consumer in the United States after March 1, 1996, and installed in either the United States or Canada.

WHO IS COVERED BY THE WARRANTY

This warranty extends to the original consumer purchaser only.

WHAT IS COVERED BY THE WARRANTY

This warranty covers only your Hansgrohe manufactured product. Hansgrohe warrants this product against defects in material or workmanship as follows: Hansgrohe will repair at no charge for parts only or, at its option, replace any product or part of the product which proves defective because of improper workmanship and/or material, under normal installation, use, service and maintenance. If Hansgrohe is unable to provide a replacement and repair is not practical or cannot be timely made, Hansgrohe may elect to refund the purchase price in exchange for the return of the product.

LENGTH OF WARRANTY

Replacement or repaired parts of products will be covered for the term of this warranty as stated in the following two sentences. If you are a consumer who purchased the product for use primarily for personal, family, or household purposes, this warranty extends for as long as you own the product and the home in which the product is installed. If you purchased the product for use primarily for any other purpose, including, without limitation, a commercial purpose, this warranty extends only (i) for 1 year, with respect to Interaktiv and Retroaktiv products, and (ii) for 5 years, with respect to AXOR, ShowerPower and Pharo products.

THIS WARRANTY DOES NOT COVER, AND HANSGROHE WILL NOT PAY FOR:

- A. Conditions, malfunctions or damage not resulting from defects in material or workmanship.
- B. Conditions, malfunctions or damage resulting from (1) improper installation, improper maintenance, misuse, abuse, negligence, accident or alteration, or (2) the use of abrasive or caustic cleaning agents or "no rinse" cleaning products, or the use of the product in any manner contrary to the product instructions.
- C. Labor or other expenses for the disconnection or return of the product for warranty service, or for installation or reinstallation of the product.
- D. Accessories or related products not manufactured by Hansgrohe.

TO OBTAIN WARRANTY SERVICE

Contact your Hansgrohe retailer, or write to Technical Service at:

Hansgrohe Inc.
1492 Bluegrass Lakes Parkway
Alpharetta GA 30004

Or, call Hansgrohe toll-free at (800) 334-0455.

In requesting warranty service, you will need to provide

- 1. The sales receipt or other evidence of the date and place of purchase.
- 2. A description of the problem.
- 3. Delivery of the product or the defective part, postage prepaid and carefully packed and insured, to Hansgrohe Inc. 1492 Bluegrass Lakes Parkway, Alpharetta, Georgia 30004, Attention: Technical Service, if required by Hansgrohe.

When warranty service is completed, any repaired or replacement product or part will be returned to you postage prepaid.

EXCLUSIONS AND LIMITATIONS

REPAIR OR REPLACEMENT (OR, IN LIMITED CIRCUMSTANCES, REFUND OF THE PURCHASE PRICE) AS PROVIDED UNDER THIS WARRANTY IS THE EXCLUSIVE REMEDY OF THE PURCHASER. HANSGROHE NEITHER ASSUMES NOR AUTHORIZES ANY PERSON TO CREATE FOR IT ANY OBLIGATION OR LIABILITY IN CONNECTION WITH THIS PRODUCT.

HANSGROHE SHALL NOT BE LIABLE TO PURCHASER OR ANY PERSON FOR ANY INCIDENTAL, SPECIAL, OR CONSEQUENTIAL DAMAGES, ARISING OUT OF BREACH OF THIS WARRANTY OR ANY IMPLIED WARRANTY (INCLUDING MERCHANTABILITY).

Some States do not allow the exclusion or limitation of incidental or consequential damages, so the above limitation or exclusion may not apply to you.

This warranty gives you specific legal rights, and you may have other rights which vary from State to State.

You may be required by law to give us a reasonable opportunity to correct or cure any failure to comply before you can bring any action in court against us under the Magnuson-Moss Warranty Act.

PRODUCT INSTRUCTIONS AND QUESTIONS

Upon purchase or prior to installation, please carefully inspect your Hansgrohe product for any damage or visible defect. Prior to installing, always carefully study the enclosed instructions on the proper installation and the care and maintenance of the product. If you have questions at any time about the use, installation, or performance of your Hansgrohe product, or this warranty, please call or write to us at the toll-free number and address printed above.



Hansgrohe, Inc. • 1490 Bluegrass Lakes Parkway • Alpharetta, GA 30004
Tel. 770 360-9880 • Fax 770 360 9887

www.hansgrohe-USA.com