



29132 Avenue Paine, Valencia, CA 91355
 Phone: (661) 775-0686 • Fax: (661) 775-0668
<http://www.hydrosystem.com> • hydro@hydrosystem.com

Galaxie



Tub must be set in Mortar Base

Tub specific options

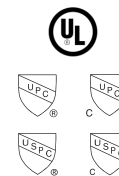
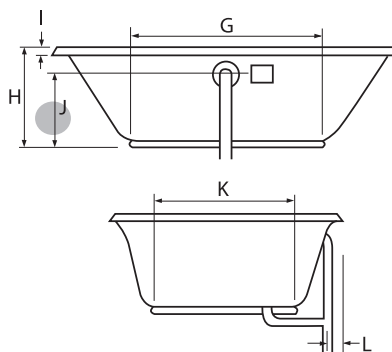
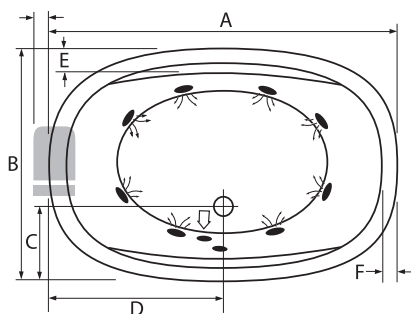
Microban antibacterial protection (Acrylic only)
 Extra high density fiberglass
 Custom jet & pump locations
 Plated metallic finish
 Additional directional jets
 Swirling, rotating, or jumbo jets
 Micro therapy jet
 Hand held personal massage jet
 1½ HP variable speed pump
 (temperature display optional)
 Electronic low water protection
 Cable waste & overflow

Inline heater
 Low voltage LED light
 Mini spotlights
 Mood light
 Grab bars
 Back masseuse
 Neck masseuse pillow
 Hydro fusion
 Hydro coat

Approvals

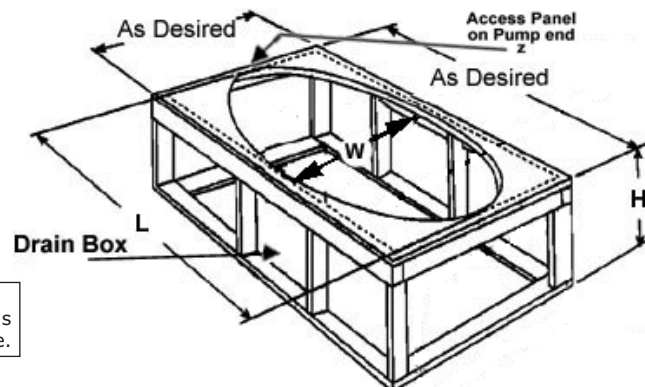
Commonwealth of Massachusetts

- Pump motor
- Jets
- Anti-vortex suction
- Overflow location



Model	Gel Coat	Acrylic	A	B	C	D	E	F	G	H	I	J	K	L	Jets	Pump H.P.	Water Capacity
6038	N/A	√	60"	38"	12 ³ / ₄ "	30"	4 ¹ / ₂ "	3"	32"	18 ¹ / ₂ "	1 ³ / ₄ "	13 ³ / ₄ "	20"	2 ³ / ₄ "	8	2.25	50 gal.
6638	N/A	√	65 ¹ / ₂ "	38"	12 ³ / ₄ "	33"	4 ¹ / ₂ "	3"	36"	18 ¹ / ₂ "	1 ³ / ₄ "	13 ³ / ₄ "	20"	2 ³ / ₄ "	8	2.25	55 gal.
6642	N/A	√	65 ¹ / ₂ "	41 ¹ / ₂ "	12 ³ / ₄ "	32 ³ / ₄ "	4 ¹ / ₂ "	3"	36"	18 ¹ / ₂ "	1 ³ / ₄ "	13 ³ / ₄ "	26"	2 ³ / ₄ "	8	2.25	60 gal.
6644	√	√	65 ¹ / ₂ "	43 ³ / ₄ "	12 ³ / ₄ "	32 ³ / ₄ "	4 ¹ / ₂ "	3"	36"	18 ¹ / ₂ "	1 ³ / ₄ "	13 ³ / ₄ "	26"	2 ³ / ₄ "	8	2.25	65 gal.
7444	√	√	74 ³ / ₄ "	44 ¹ / ₂ "	12 ³ / ₄ "	37 ¹ / ₂ "	5"	3"	43"	18 ³ / ₄ "	1 ³ / ₄ "	13 ³ / ₄ "	26"	2 ³ / ₄ "	8	2.25	80 gal.
Amps	Volts	Breaker	Dedicated Service														
13.5	120	20 amp	GFCI Protected														

Framing Dimensions



****Disclaimer****
 For cutout dimensions
 wait for unit to arrive.

Island Drop-In

Model	(L)ength	(W)idth	(H)eight Finish
6038	58"	36"	17 ³ / ₄ "
6638	63 ¹ / ₂ "	36"	17 ³ / ₄ "
6642	63 ¹ / ₂ "	39 ¹ / ₂ "	17 ³ / ₄ "
6644	63 ¹ / ₂ "	41 ¹ / ₂ "	17 ³ / ₄ "
7444	72 ³ / ₄ "	41 ¹ / ₂ "	18"

All specifications subject to change without notice.