



29132 Avenue Paine, Valencia, CA 91355
 Phone: (661) 775-0686 • Fax: (661) 775-0668
<http://www.hydrosystem.com> • hydro@hydrosystem.com

Lara

Tub specific options



Tub must be set in Mortar Base

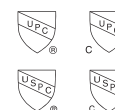
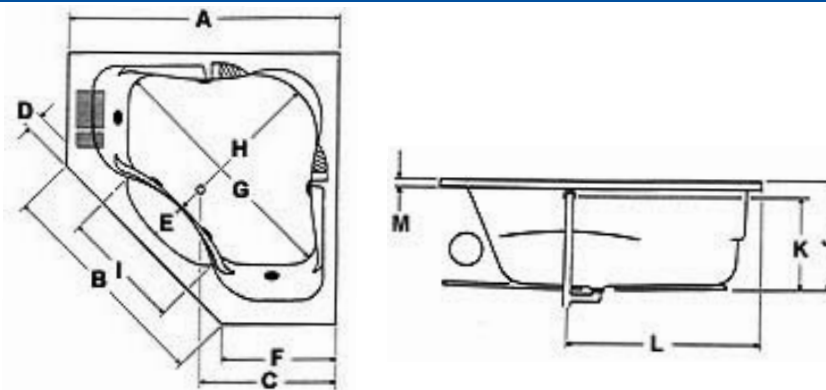
- Microban antibacterial protection
- Extra high density fiberglass
- Flange-molded
- Flange-galvanized
- Custom jet & pump locations
- Plated metallic finish
- Additional directional jets
- Swirling, rotating, or jumbo jets
- Micro therapy jet
- Hand held personal massage jet
- 1½ HP variable speed pump (temperature display optional)
- Electronic low water protection

- Cable waste & overflow
- Inline heater
- Low voltage LED light
- Mini spotlights
- Mood light
- Grab bars
- Back masseuse
- Neck masseuse pillow
- Hydrozone
- Hydro fusion
- Hydro fragrance
- Hydro coat

Approvals

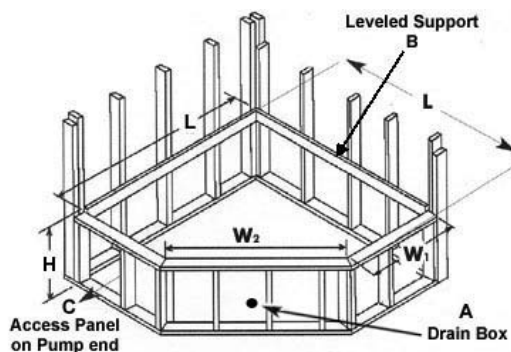
Commonwealth of Massachusetts

- Pump motor
- Jets
- Anti-vortex suction
- Overflow location



Model	Gel Coat	Acrylic	A	B	C	D	E	F	G	H	I	J	K	L	M	Jets	Pump H.P.	Water Capacity
6060	N/A	√	60"	50"	29"	3½"	7¾"	24"	53"	33"	27¼"	19"	16½"	34"	1¾"	6	2.25	70 gal.
Amps	Volts	Breaker	Dedicated Service															
13.5	120	20 amp	GFCI Protected															

Framing Dimensions



Island Drop-In

Tub Opening Dimensions			
(L)ength	(W)idth		(H)eight Finish
	(1)	(2)	
59"	23½"	49½"	18¼"

All specifications subject to change without notice.