

Ovation



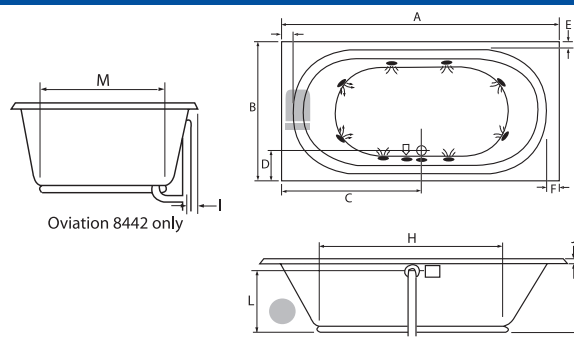
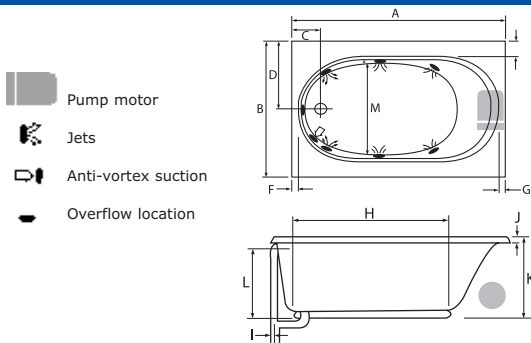
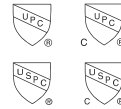
Tub must be set in Mortar Base

Tub specific options

- Microban antibacterial protection (Acrylic only)
- Extra high density fiberglass
- Flange-molded (Acrylic only)
- Flange-galvanized
- Skirt
- Custom jet & pump locations
- Plated metallic finish
- Additional directional jets
- Swirling, rotating, or jumbo jets
- Micro therapy jet
- Hand held personal massage jet
- 1½ HP variable speed pump (temperature display optional)
- Electronic low water protection
- Cable waste & overflow
- Inline heater
- Low voltage LED light
- Mini spotlights
- Mood light
- Grab bars
- Back masseuse
- Neck masseuse pillow
- HydroOzone
- Hydro fusion
- Hydro fragrance
- Hydro coat

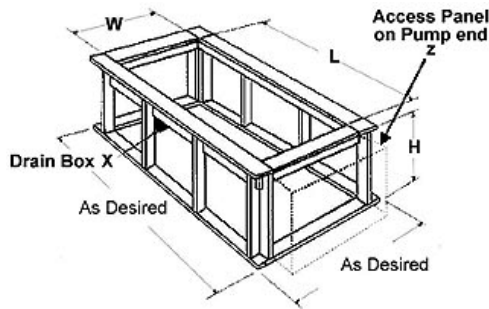
Approvals

Commonwealth of Massachusetts

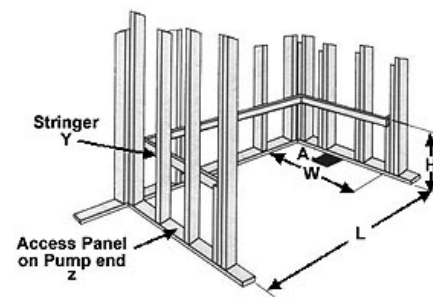


Model	Gel Coat	Acrylic	A	B	C	D	E	F	G	H	I	J	K	L	M	Jets	Pump H.P.	Water Capacity
6042	✓	✓	60"	42"	8½"	21"	5"	2"	2½"	39"	1¼"	1¾"	20¼"	17½"	29"	6	2.25	45 gal.
6642	✓	✓	66"	42"	8¾"	21"	5"	2"	2"	45"	1¼"	1½"	20½"	17½"	29"	6	2.25	60 gal.
7242	✓	✓	71½"	42½"	10½"	21"	5"	4"	3"	48"	3½"	1½"	20½"	17½"	29"	6	2.25	70 gal.
8442	✓	N/A	83½"	42½"	41¾"	8¾"	2"	4"	4"	51"	3¼"	1¼"	20¾"	17½"	29"	8	2.25	80 gal.
Amps	Volts	Breaker	Dedicated Service															
13.5	120	20 amp	GFCI Protected															

Framing Dimensions



Island Drop-In



3 Wall Installation

Model	(L)ength	(W)idth	(H)eight Finish	(L)ength	(W)idth	(H)eight Ledger	
						Metal Flange	Molded Flange
6042	58"	40"	19½"	60"	42"	19½"	21"
6642	64"	40"	20"	66"	42"	20"	21¼"
7242	70"	40"	20"	72"	42"	20"	21¼"
8442	82"	40"	20½"	84"	42"	20½"	n/a

All specifications subject to change without notice.