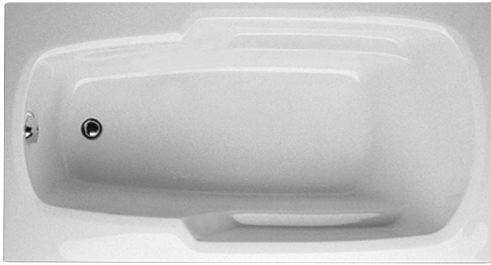


# Solo



Tub must be set in Mortar Base

Microban antibacterial protection (Acrylic only)  
 Extra high density fiberglass  
 Flange-molded (Acrylic only)  
 Flange-galvanized  
 Waterfall spout  
 Skirt (except 5430)  
 Custom jet & pump locations  
 Plated metallic finish  
 Additional directional jets  
 Swirling, rotating, or jumbo jets  
 Micro therapy jet

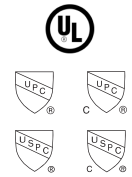
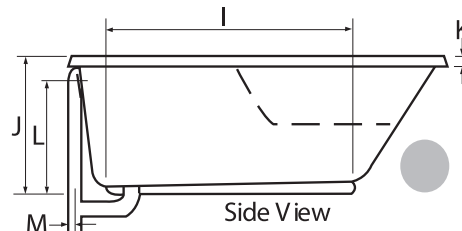
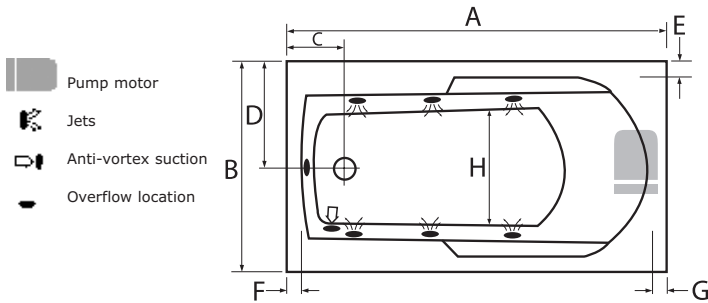
### Tube specific options

Hand held personal massage jet  
 1½ HP variable speed pump (temperature display optional)  
 Electronic low water protection  
 Cable waste & overflow  
 Inline heater  
 Low voltage LED light  
 Mini spotlights  
 Mood light  
 Grab bars  
 Back masseuse  
 Neck masseuse pillow

Hydrozone  
 Hydro fusion  
 Hydro fragrance  
 Hydro coat

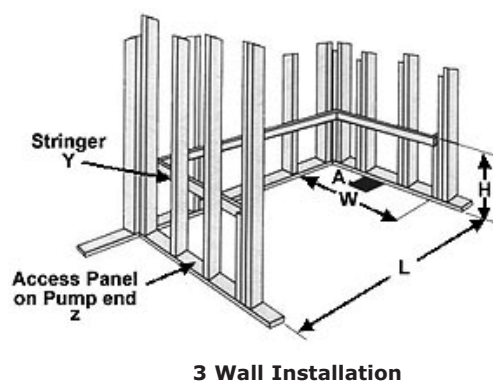
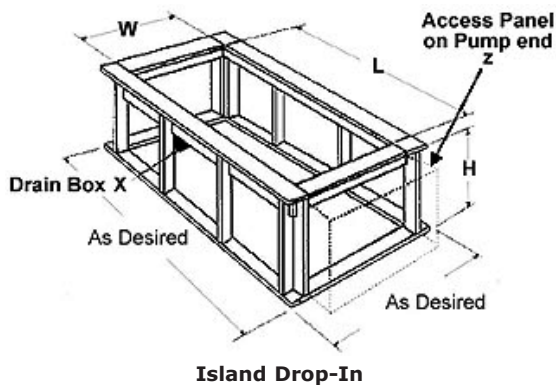
### Approvals

Commonwealth of Massachusetts



Model	Gel Coat	Acrylic	A	B	C	D	E	F	G	H	I	J	K	L	M	Jets	Pump H.P.	Water Capacity
5430	N/A	✓	54"	30"	8"	15"	2"	2"	2"	16"	35"	19¼"	1¾"	16"	1"	6	2.25	40 gal.
6032	N/A	✓	60¼"	32¼"	8¾"	16"	2"	2"	2"	18"	40"	18¾"	1¾"	16½"	1"	6	2.25	45 gal.
6036	N/A	✓	60¼"	36"	8¾"	18"	2¼"	2"	1½"	22"	41"	18¾"	1¾"	16½"	1"	6	2.25	50 gal.
6634	N/A	✓	66"	34"	8"	17"	3"	2"	2"	18"	47"	18¾"	1¾"	16½"	1"	6	2.25	55 gal.
7236	N/A	✓	71¾"	36"	11½"	18"	4"	5"	5"	18"	47"	19"	1¾"	16½"	4"	6	2.25	60 gal.
<b>Amps</b>	<b>Volts</b>	<b>Breaker</b>	<b>Dedicated Service</b>															
13.5	120	20 amp	GFCI Protected															

### Framing Dimensions



Dimensions							
Model	(L)ength	(W)idth	(H)eight Finish	(L)ength	(W)idth	(H)eight Ledger	
						Metal Flange	Molded Flange
5430	52"	28"	18½"	54"	30"	18½"	20"
6032	58"	30"	18"	60¼"	32¼"	18"	19½"
6036	58"	34"	18"	60¼"	36"	18"	19½"
6634	64"	32"	18"	66"	34"	18"	19½"
7236	70"	34"	18¼"	72"	36"	18¼"	19¾"

All specifications subject to change without notice.