



29132 Avenue Paine, Valencia, CA 91355
 Phone: (661) 775-0686 • Fax: (661) 775-0668
<http://www.hydrosystem.com> • hydro@hydrosystem.com

Cassi



Tub must be set in Mortar Base

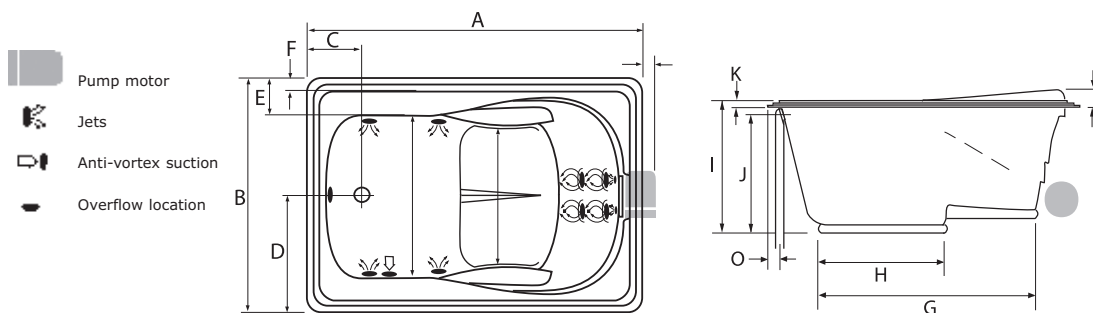
Tub specific options

- Microban antibacterial protection
- Extra high density fiberglass
- Custom jet & pump locations
- Plated metallic finish
- Additional directional jets
- Swirling, rotating, or jumbo jets
- Micro therapy jet
- Hand held personal massage jet
- 1½ HP variable speed pump (temperature display optional)
- Electronic low water protection
- Cable waste & overflow
- Inline heater

- Low voltage LED light
- Mini spotlights
- Mood light
- Grab bars
- Neck masseuse pillow
- HydroOzone
- Hydro fusion
- Hydro fragrance
- Hydro coat

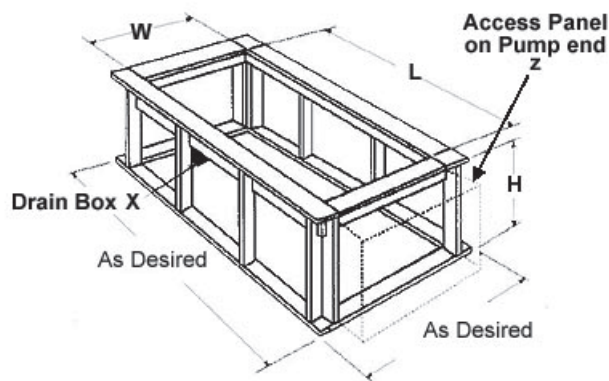
Approvals

Commonwealth of Massachusetts



Model	Gel Coat	Acrylic	A	B	C	D	E	F	G	H	I	J	K	L	M	N	O	Jets	Pump H.P.	Water Capacity
6042	N/A	√	59¾"	42"	8"	21"	6½"	2"	42½"	23"	24"	23"	1"	3½"	29"	25"	2"	4 Std. 4 Swirling	2.25	90 gal.
Amps	Volts	Breaker	Dedicated Service																	
13.5	120	20 amp	GFCI Protected																	

Framing Dimensions



****Disclaimer****
 For cutout dimensions wait for unit to arrive.

Island Drop-In

Tub Opening Dimensions		
(L)ength	(W)idth	(H)eight Finish
58"	40"	24"

All specifications subject to change without notice.