



Hydro Systems, Inc.
 29132 Avenue Paine, Valencia, CA 91355
 Phone (661) 775-0686 · Fax (661) 775-0668
 www.hydrosystem.com
 e-mail: hydro@hydrosystem.com

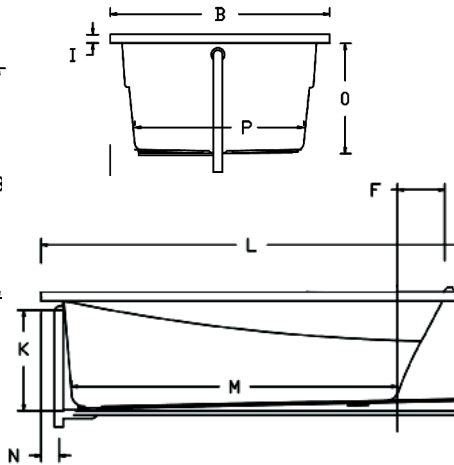
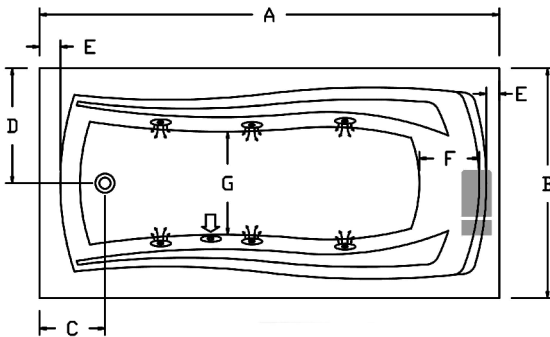
Charlotte

Tub specific options



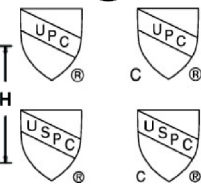
Tub must be set in Mortar Base

- Available as Tub only, Thermal Air, Whirlpool or Combo
- Microban antibacterial protection
- Extra high density fiberglass
- Flange—molded
- Skirt
- Custom jet & pump locations
- Plated metallic finish
- Additional directional jets
- Swirling, rotating, or jumbo jets
- Micro therapy jet
- Integral waste & overflow
- 1½ HP variable speed pump (digital temperature display optional)
- Electronic low water protection
- Inline heater
- Chromatherapy LED lighting
- Chromatherapy Mini spotlights
- Moodlight
- Grab bars
- Back masseuse
- Neck masseuse pillow
- Hydro fragrance
- Hydro fusion
- Hydro coat
- Hydro express



Approvals

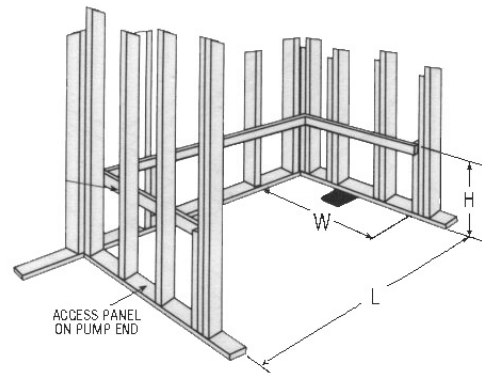
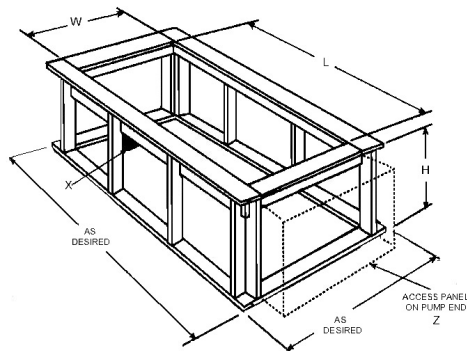
Commonwealth of Massachusetts
 UPC & USPC
 US & Canada



Pump Motor
 Jets
 Anti-vortex suction
 Overflow location

Model	GC	AC	A	B	C	D	E	F	G	H	I	J	K	L	M	N	O	P	Q	Jet	Pump	Water
7236	N/A	√	72"	36"	10¼"	18"	3"	8"	24"	20"	1½"	N/A	17½"	72"	56"	3"	18½"	24"	18	6	2.25	88 gal.
			Amps		Volts		Breaker		Dedicated Service													
			13.5		120		20 amp		GFCI Protected													

Framing Dimension



Island Drop-In			3 Wall Installation		
(L)ength	(W)idth	(H)eight Finish	(L)ength	(W)idth	(H)eight Finish
70"	34"	19½"	72"	36"	20¾"

Disclaimer: Certain options or altering the pump/blower location may cause the pump/blower to extend beyond the tub decking. For cutout dimensions wait for unit to arrive. • All specifications subject to change without notice.