



29132 Avenue Paine, Valencia, CA 91355
 Phone: (661) 775-0686 • Fax: (661) 775-0668
<http://www.hydrosystem.com> • hydro@hydrosystem.com

Fantasy



Tub must be set in Mortar Base

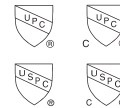
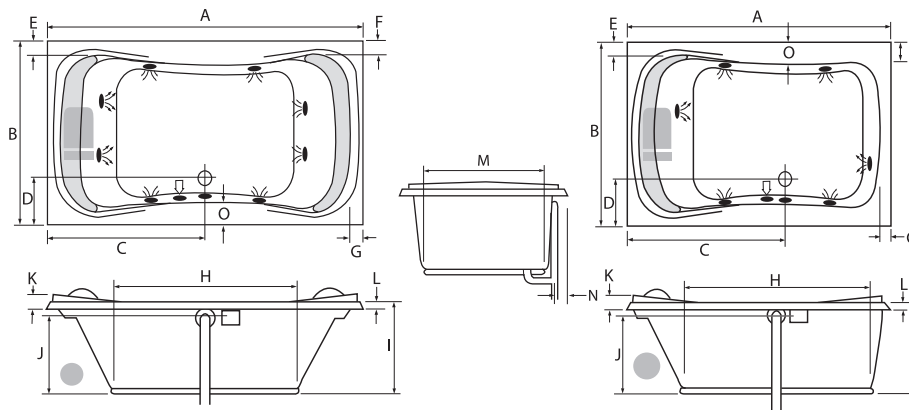
Tub specific options

- Microban antibacterial protection (Acrylic only)
 - Extra high density fiberglass
 - Flange-galvanized
 - Waterfall spout (Acrylic only)
 - Skirt
 - Custom jet & pump locations
 - Plated metallic finish
 - Additional directional jets
 - Swirling, rotating, or jumbo jets
 - Micro therapy jet
 - Hand held personal massage jet
 - 1 1/2 HP variable speed pump (temperature display optional)
 - Electronic low water protection
 - Cable waste & overflow
- Inline heater
 - Low voltage LED light
 - Mood light
 - Grab bars
 - Back masseuse
 - Neck masseuse pillow
 - HydrOzone
 - Hydro fusion
 - Hydro fragrance
 - Hydro coat

Approvals

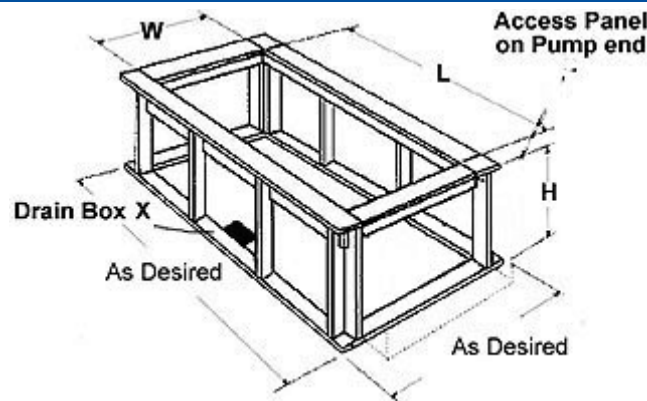
Commonwealth of Massachusetts

- Pump motor
- Jets
- Anti-vortex suction
- Overflow location



Model	Gel Coat	Acrylic	A	B	C	D	E	F	G	H	I	J	K	L	M	N	O	Jets	Pump H.P.	Water Capacity
6042	✓	✓	60"	42"	21"	11"	3 1/2"	4 3/4"	1 1/4"	42"	20 1/2"	18"	3 1/2"	1 3/4"	30"	3 3/4"	5 1/4"	6	2.25	70 gal.
7242	✓	✓	72"	41 3/4"	36"	11"	3 1/2"	3 1/2"	3"	42"	21"	18"	3 1/2"	1 3/4"	30"	3 3/4"	5 1/4"	8	2.25	75 gal.
Amps	Volts	Breaker	Dedicated Service																	
13.5	120	20 amp	GFCI Protected																	

Framing Dimensions



Tub Opening Dimensions			
Model	(L)ength	(W)idth	(H)eight Finish
6042	58"	40"	19 1/4"
7242	70"	40"	20 1/4"

All specifications subject to change without notice.