



29132 Avenue Paine, Valencia, CA 91355  
 Phone: (661) 775-0686 • Fax: (661) 775-0668  
<http://www.hydrosystem.com> • [hydro@hydrosystem.com](mailto:hydro@hydrosystem.com)

# Isabella



Tub must be set in Mortar Base

- Microban antibacterial protection
- Extra high density fiberglass
- Flange-molded
- Flange-galvanized
- Skirt
- Custom jet & pump locations
- Plated metallic finish
- Additional directional jets
- Swirling, rotating, or jumbo jets
- Micro therapy jet
- Hand held personal massage jet

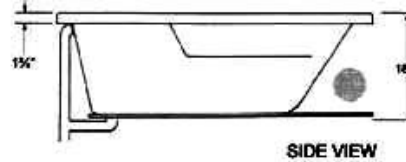
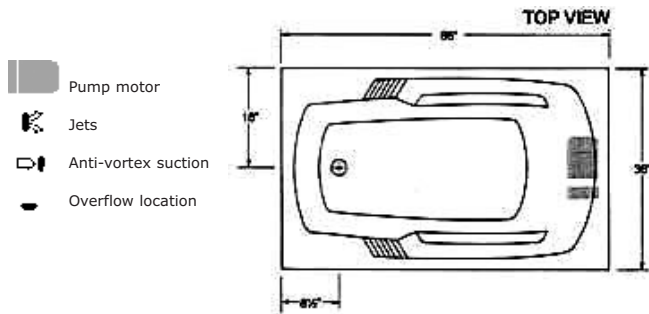
### Tube specific options

- 1 1/2 HP variable speed pump (temperature display optional)
- Electronic low water protection
- Cable waste & overflow
- Inline heater
- Low voltage LED light
- Mini spotlights
- Mood light
- Grab bars
- Back masseuse
- Neck masseuse pillow

- HydroOzone
- Hydro fusion
- Hydro fragrance
- Hydro coat

### Approvals

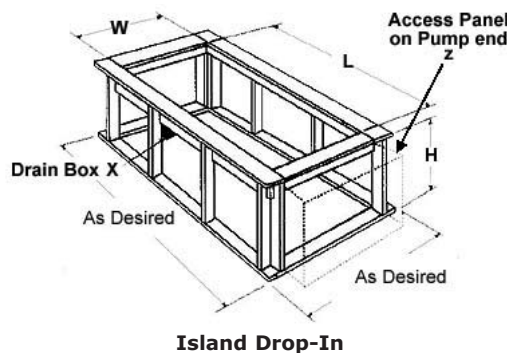
Commonwealth of Massachusetts



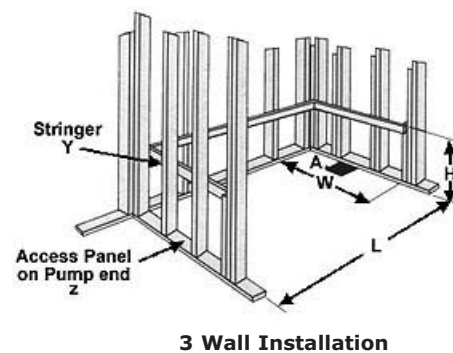
Model 6636 has no drip ledge

Model	Gel Coat	Acrylic	A	B	C	D	E	F	G	H	I	J	K	L	M	Jets	Pump H.P.	Water Capacity
6036	N/A	✓	59 3/4"	35 3/4"	8 1/4"	18"	2 1/2"	2 1/4"	2 1/4"	22"	41 1/2"	18 3/4"	1 3/4"	15 3/4"	1 1/2"	6	2.25	50 gal.
6636	N/A	✓	65 3/4"	35 3/4"	8 1/2"	18"	2 1/2"	2 1/4"	2 1/4"	22"	47 1/2"	18 3/4"	1 3/4"	15 3/4"	1 1/2"	6	2.25	60 gal.
7236	N/A	✓	71 3/4"	35 3/4"	8 1/2"	18"	2 1/2"	2 1/4"	2 1/4"	22"	53 1/2"	18 3/4"	1 3/4"	15 3/4"	1 1/2"	6	2.25	70 gal.
<b>Amps</b>	<b>Volts</b>	<b>Breaker</b>	<b>Dedicated Service</b>															
13.5	120	20 amp	GFCI Protected															

### Framing Dimensions



Island Drop-In



3 Wall Installation

### Dimensions

Model	(L)ength	(W)idth	(H)eight Finish	(L)ength	(W)idth	(H)eight Ledger	
						Metal Flange	Molded Flange
6036	57 3/4"	33 3/4"	18"	60"	36"	18"	19 1/2"
6636	63 3/4"	33 3/4"	18"	66"	36"	18"	19 1/2"
7236	69 3/4"	33 3/4"	18"	72"	36"	18"	19 1/2"

All specifications subject to change without notice.