

Jessica



Tub must be set in Mortar Base

Microban antibacterial protection
 Extra high density fiberglass
 Flange-galvanized
 Waterfall spout (7248 model only)
 Skirt
 Custom jet & pump locations
 Plated metallic finish
 Additional directional jets
 Swirling, rotating, or jumbo jets
 Micro therapy jet
 Hand held personal massage jet

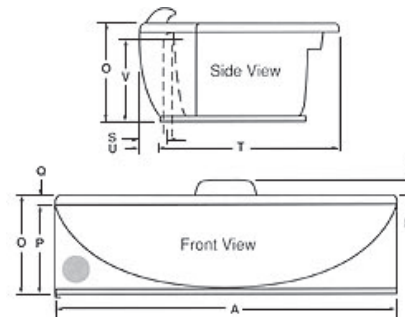
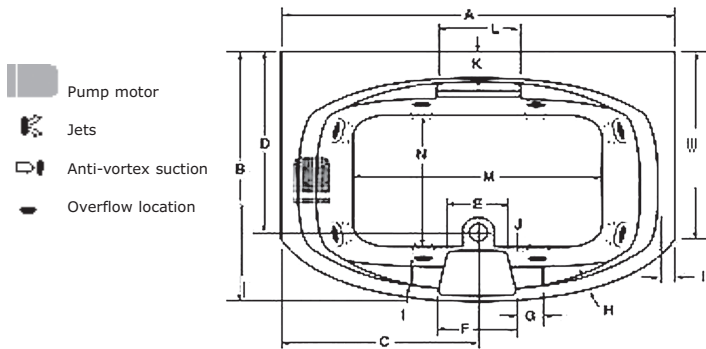
Tub specific options

1½ HP variable speed pump
 (temperature display optional)
 Electronic low water protection
 Cable waste & overflow
 Inline heater
 Low voltage LED light
 Mini spotlights
 Mood light
 Grab bars
 Neck masseuse pillow
 HydrOzone

Hydro fusion
 Hydro fragrance
 Hydro coat

Approvals

Commonwealth of Massachusetts



Model	Gel Coat	Acrylic	A	B	C	D	E	F	G	H	I	J	K	L	M	N	O	P	Q	R	S	T	U	V	W	Jets	Pump H.P.	Water Capacity
6048	N/A	√	60"	48"	30"	36"	N/A	N/A	N/A	2¾"	3½"	3"	4¼"	12"	36"	27½"	21"	18¾"	1¾"	N/A	6	42"	4"	17"	36"	8	2.25	65 gal.
7248	N/A	√	72"	48"	36"	34½"	9"	14"	5½"	2¾"	3½"	3"	4¼"	15"	44"	27½"	21"	18½"	1¾"	3¼"	6	42"	4"	17"	36"	8	2.25	75 gal.
Amps	Volts	Breaker	Dedicated Service																									
13.5	120	20 amp	GFCI Protected																									

Framing Dimensions

Tub Opening Dimensions		
(L)ength	(W)idth	(H)eight Finish
CALL FACTORY FOR FRAMING DIMENSIONS		

All specifications subject to change without notice.