

Liliana

A classic oval tub with several available lip heights, the Liliana is a timeless design with a bevy of trim options to fit a number of requirements.



Available Sizes:

66”L x 42 I”W x 23”D
95 Gallons

66”L x 42 II”W x 23”D
95 Gallons

66”L x 42 III”W x 23”D
95 Gallons

66”L x 42 IV”W x 23”D
95 Gallons

Acrylic Tub – construction features

Acrylic models finished in 1/8” thick layer of deep lustrous acrylic.

Extra thick reinforced fiberglass.

Pre-wired pump on pump platform (standard pump location only)

Integral E-Z Level platform facilitates installation.

Non-skid bottom.

PVC Systems – include:

8 Fully directional adjustable PVC jets

Anti-vortex safety suction.

Color matched system trim

HydrOzone ozone sanitation system

Rigid PVC piping

Self draining pump and system

Soft Touch electronic on/off control with 30-min. integral timer

2.25 HP Single Speed Pump

Cable waste & overflow

Hydro Systems – Options:

Available as Tub only, Thermal Air, Whirlpool or Combo

Microban Antibacterial Protection

Extra High Density Fiberglass

Armrest

Custom jet and pump locations

Plated Metallic finish

Additional directional Jets

Swirling, Rotating, or Jumbo Jets

Micro Therapy Jet

Integral Waste & Overflow

1.5 HP Variable Speed Pump (digital temperature display optional)

Electronic low water protection

In-line Heater

Chromatherapy-LED Lighting System

Chromatherapy-LED Mini Spotlights

Mood Light

Grab Bars

Back Masseur

Neck Masseur Pillow

Hydro Fragrance

Hydro Fusion

Hydro Coat

Hydro Express quick ship

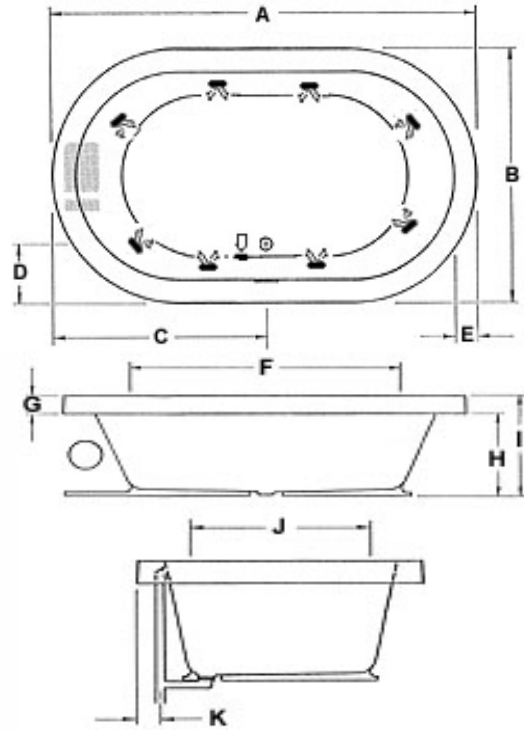
Approvals & Listings





Commonwealth of Massachusetts
 UPC & USPC - US & Canada





Liliana

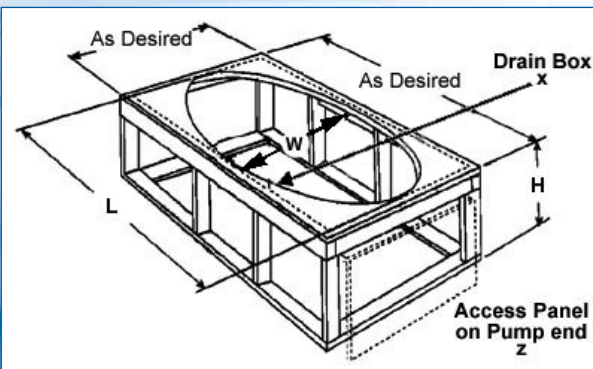


-  Pump motor
-  Jets
-  Anti-vortex suction
-  Overflow location

AS SHOWN:
Whirlpool option w/ standard jets

ALSO AVAILABLE:
Soaking Tub Only, Whirlpool,
Thermal Air, Combo

Model	GC	AC	A	B	C	D	E	F	G	H	I	J	K	L	Jet	Pump	Wat.Cap.
6642-I	N/A		66"	42"	33"	10"	3 ⁵ / ₈ "	41"	1"	22"	23"	26"	3 ¹ / ₂ "	18 ¹ / ₂ "	8	2.25	95 gal.
6642-II	N/A								2"	21"				18"			
6642-III	N/A								3"	20"				18"			
6642-IV	N/A								4"	19"				18"			
Amp			Volt			Breaker			Dedicated Service								
13.5			120			20 amps			GFCI Protected								



Island Drop-In			
Model	(L)ength	(W)idth	(H)eighth Finish
6642-I	64"	40"	23"
6642-II	64"	40"	22"
6642-III	64"	40"	21"
6642-IV	64"	40"	20"

Disclaimer: Certain options or altering the pump/blower location may cause the pump/blower to extend beyond the tub decking. For cutout dimensions wait for unit to arrive. All specifications subject to change without notice.