

Natalie







Tub must be set in Mortar Base

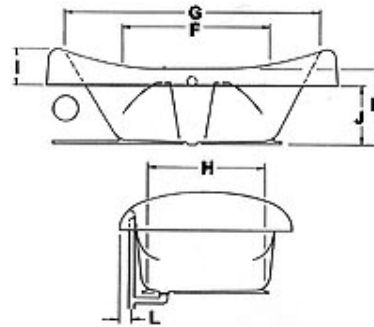
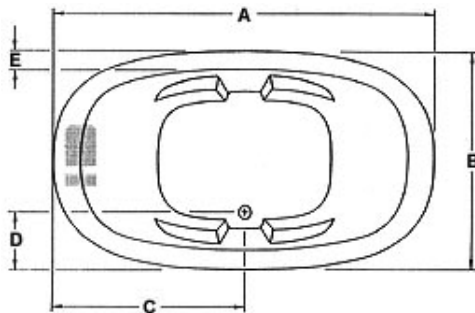
Tub specific options

- | | |
|--|------------------------|
| Microban antibacterial protection | Cable waste & overflow |
| Extra high density fiberglass | Inline heater |
| Custom jet & pump locations | Low voltage LED light |
| Plated metallic finish | Mini spotlights |
| Additional directional jets | Mood light |
| Swirling, rotating, or jumbo jets | Grab bars |
| Micro therapy jet | Back masseuse |
| Hand held personal massage jet | Neck masseuse pillow |
| 1½ HP variable speed pump (temperature display optional) | HydrOzone |
| Electronic low water protection | Hydro fusion |
| | Hydro coat |

Approvals

Commonwealth of Massachusetts

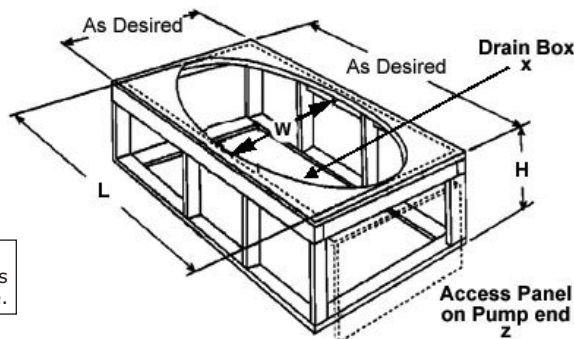
-  Pump motor
-  Jets
-  Anti-vortex suction
-  Overflow location



Model	Gel Coat	Acrylic	A	B	C	D	E	F	G	H	I	J	K	L	Jets	Pump H.P.	Water Capacity
7844	N/A	√	79"	44"	39"	11½"	3½"	40"	68"	33"	10"	18"	24"	3½"	8	2.25	105 gal.

Amps 13.5 **Volts** 120 **Breaker** 20 amp **Dedicated Service**
 GFCI Protected

Framing Dimensions



****Disclaimer****
 For cutout dimensions wait for unit to arrive.

Tub Opening Dimensions		
(L)ength	(W)idth	(H)eight Finish
77"	42"	19"

All specifications subject to change without notice.