

Rincon

Tub specific options



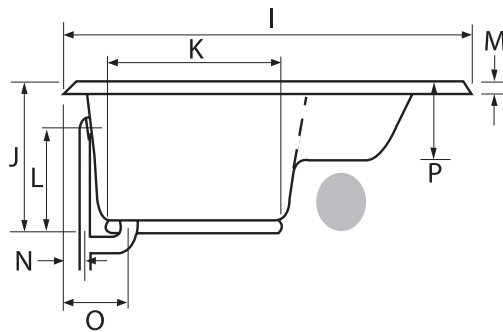
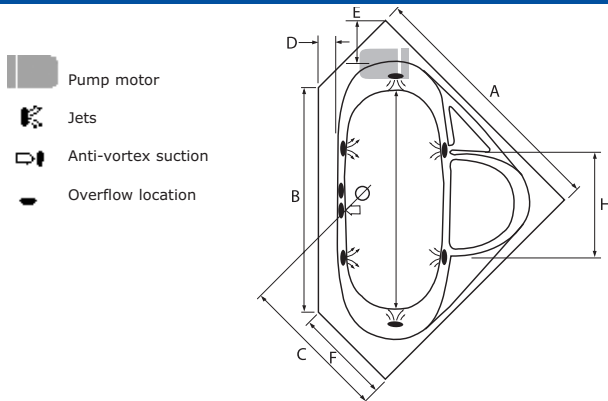
Tub must be set in Mortar Base

- Microban antibacterial protection (Acrylic only)
- Extra high density fiberglass
- Flange-molded (Acrylic only)
- Flange-galvanized
- Waterfall spout (Acrylic only)
- Skirt
- Custom jet & pump locations
- Plated metallic finish
- Additional directional jets
- Swirling, rotating, or jumbo jets
- Micro therapy jet
- Hand held personal massage jet
- 1½ HP variable speed pump (temperature display optional)

- Electronic low water protection
- Cable waste & overflow
- Inline heater
- Low voltage LED light
- Mini spotlights
- Mood light
- Grab bars
- Back masseuse
- Neck masseuse pillow
- HydroOzone
- Hydro fusion
- Hydro fragrance
- Hydro coat

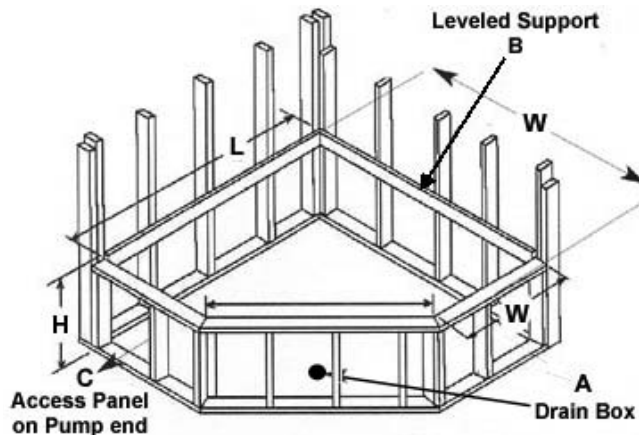
Approvals

Commonwealth of Massachusetts



Model	Gel Coat	Acrylic	A	B	C	D	E	F	G	H	I	J	K	L	M	N	O	P	Jets	Pump H.P.	Water Capacity
5959	N/A	✓	59"	52½"	34"	4½"	10"	21¾"	50½"	24"	56¾"	18"	23½"	14¼"	1¾"	2¾"	9¾"	11"	6	2.25	60 gal.
5959	✓	N/A	59¼"	53"	34½"	4"	10"	21¾"	51½"	24"	57"	21"	24"	17½"	1¾"	2¾"	9¾"	11"	6	2.25	65 gal.
Amps	Volts	Breaker	Dedicated Service																		
13.5	120	20 amp	GFCI Protected																		

Framing Dimensions



****Disclaimer****
 For cutout dimensions wait for unit to arrive.

Island Drop-In

Tub Opening Dimensions		
(L)ength	(W)idth	(H)eight Finish
59½"	59½"	20¼"

All specifications subject to change without notice.