



29132 Avenue Paine, Valencia, CA 91355
 Phone: (661) 775-0686 • Fax: (661) 775-0668
<http://www.hydrosystem.com> • hydro@hydrosystem.com

Savannah



Tub must be set in Mortar Base

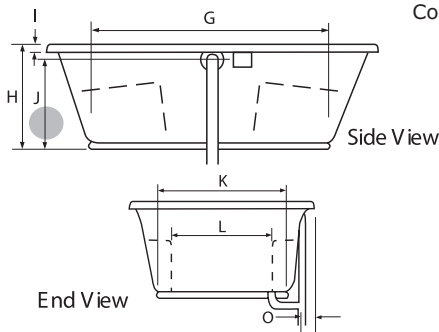
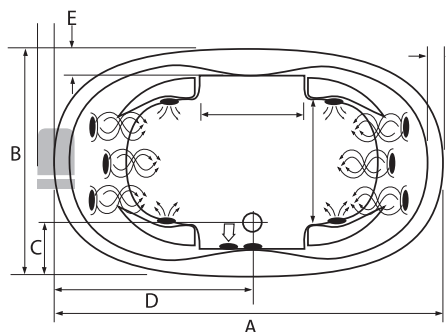
Tub specific options

- Microban antibacterial protection
- Extra high density fiberglass
- Waterfall spout
- Custom jet & pump locations
- Plated metallic finish
- Additional directional jets
- Swirling, rotating, or jumbo jets
- Micro therapy jet
- Hand held personal massage jet
- 1½ HP variable speed pump (temperature display optional)
- Electronic low water protection
- Cable waste & overflow
- Inline heater
- Low voltage LED light
- Mini spotlights
- Mood light
- Grab bars
- Back masseuse
- Neck masseuse pillow
- HydrOzone
- Hydro fusion
- Hydro fragrance
- Hydro coat

Approvals

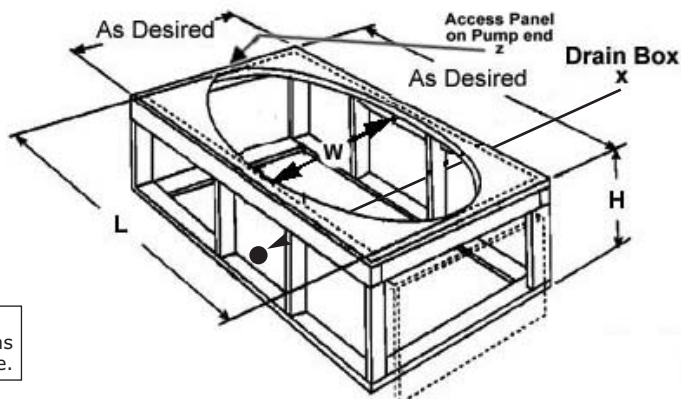
Commonwealth of Massachusetts

- Pump motor
- Jets
- Anti-vortex suction
- Overflow location



Model	Gel Coat	Acrylic	A	B	C	D	E	F	G	H	I	J	K	L	M	O	Jets	Pump H.P.	Water Capacity
6644	N/A	✓	65 ³ / ₄ "	43 ¹ / ₂ "	9"	33"	5 ¹ / ₂ "	3 ¹ / ₂ "	42"	23 ³ / ₄ "	1 ³ / ₄ "	20 ¹ / ₂ "	30"	24"	13"	3 ¹ / ₂ "	4 Standard 6 Swirling	2.25	80 gal.
7444	N/A	✓	73 ³ / ₄ "	43 ¹ / ₂ "	9"	36 ¹ / ₂ "	5 ¹ / ₂ "	3 ¹ / ₂ "	50"	23 ³ / ₄ "	1 ³ / ₄ "	20 ¹ / ₂ "	30"	24"	19 ¹ / ₂ "	3 ¹ / ₂ "	4 Standard 6 Swirling	2.25	95 gal.
Amps	Volts	Breaker	Dedicated Service																
13.5	120	20 amp	GFCI Protected																

Framing Dimensions



****Disclaimer****
 For cutout dimensions wait for unit to arrive.

Island Drop-In

Tub Opening Dimensions			
Model	(L)ength	(W)idth	(H)eight Finish
6644	64"	42"	23"
7444	72"	42"	23"

All specifications subject to change without notice.