



29132 Avenue Paine, Valencia, CA 91355  
 Phone: (661) 775-0686 • Fax: (661) 775-0668  
<http://www.hydrossystem.com> • [hydro@hydrossystem.com](mailto:hydro@hydrossystem.com)

# Victoria



Tub must be set in Mortar Base

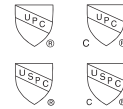
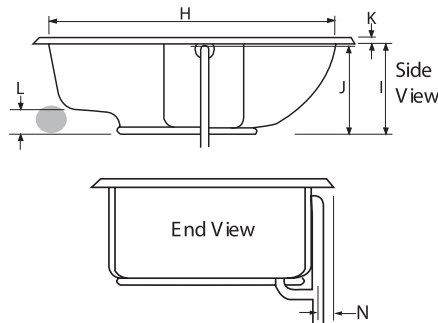
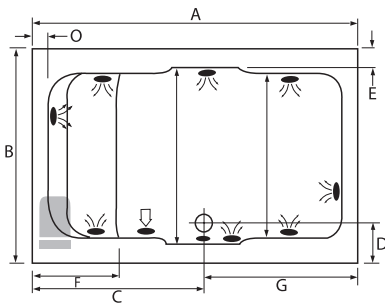
### Tub specific options

- Microban antibacterial protection
- Extra high density fiberglass
- Waterfall spout
- Custom jet & pump locations
- Plated metallic finish
- Additional directional jets
- Swirling, rotating, or jumbo jets
- Micro therapy jet
- Hand held personal massage jet
- 1 1/2 HP variable speed pump (temperature display optional)
- Electronic low water protection
- Cable waste & overflow
- Inline heater
- Low voltage LED light
- Mini spotlights
- Mood light
- Grab bars
- Back masseuse
- Neck masseuse pillow
- HydroOzone
- Hydro fusion
- Hydro fragrance
- Hydro coat

### Approvals

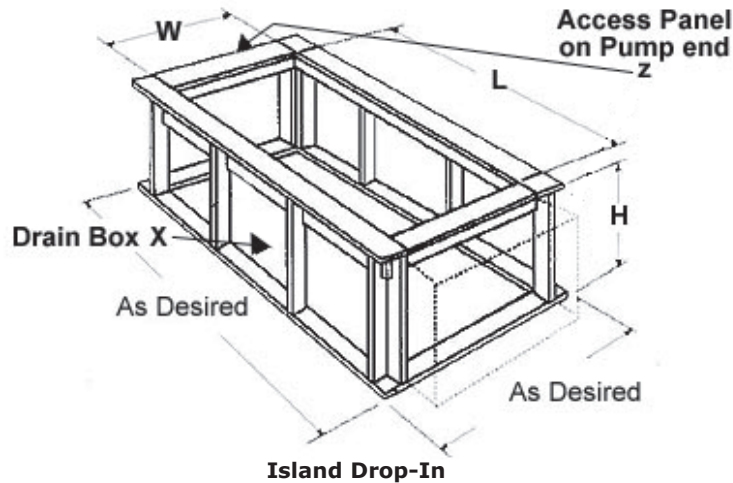
Commonwealth of Massachusetts

- Pump motor
- Jets
- Anti-vortex suction
- Overflow location



Model	Gel Coat	Acrylic	A	B	C	D	E	F	G	H	I	J	K	L	M	N	O	P	Jets	Pump H.P.	Water Capacity
7348	N/A	√	72 1/2"	48"	38"	9 1/2"	4 1/4"	19 1/2"	34 1/2"	64"	24"	19 1/2"	1 3/4"	5 1/2"	39 1/4"	3 1/2"	3 1/2"	36 1/2"	8	2.25	105 gal.
<b>Amps</b>	<b>Volts</b>	<b>Breaker</b>	<b>Dedicated Service</b>																		
13.5	120	20 amp	GFCI Protected																		

### Framing Dimensions



### Island Drop-In

Tub Opening Dimensions		
(L)ength	(W)idth	(H)eight Finish
70 1/2"	46"	23 1/4"

All specifications subject to change without notice.