

SAMUEL HEATH

Product Number: P4006-A

Description: Bank pattern door chain with keeper

Technical information

Frame: 6" x 1 3/4"

Chain: 6 11/16"



Finishes Available



Chrome Plate



Polished Nickel



Non Lacquered
Brass



Polished Brass



Satin Nickel

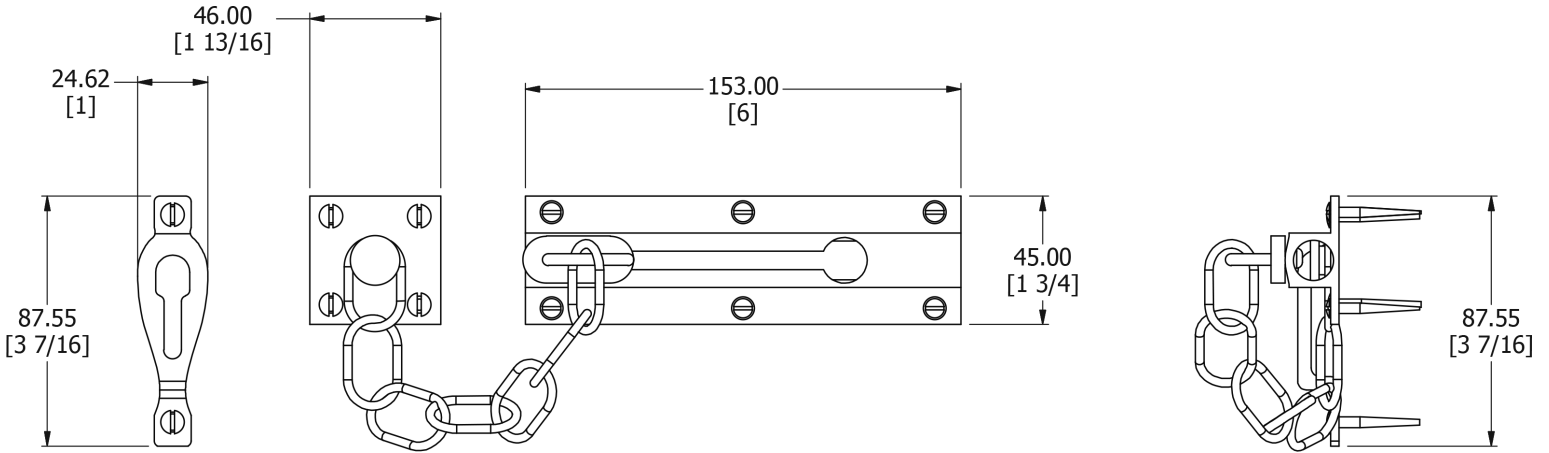


Satin Chrome



Bronze Finish

Specification Drawing



UK Customer Service

Leopold Street
Birmingham
B12 0UJ
Tel: +44 121 766 4200
Email: info@samuel-heath.com

US Customer Service

Federal I.D. No. 58-1504682
Email: usa@samuel-heath.com

Specification Enquiries

Design Centre Chelsea Harbour
1st Floor, North Dome, London
SW10 0XE
Tel: 020 7352 0249
Email: showroom@samuel-heath.com