

SAMUEL HEATH

Product Number: P4511L-MP

Description: Casement fastener with mortice plate and lock



Technical information

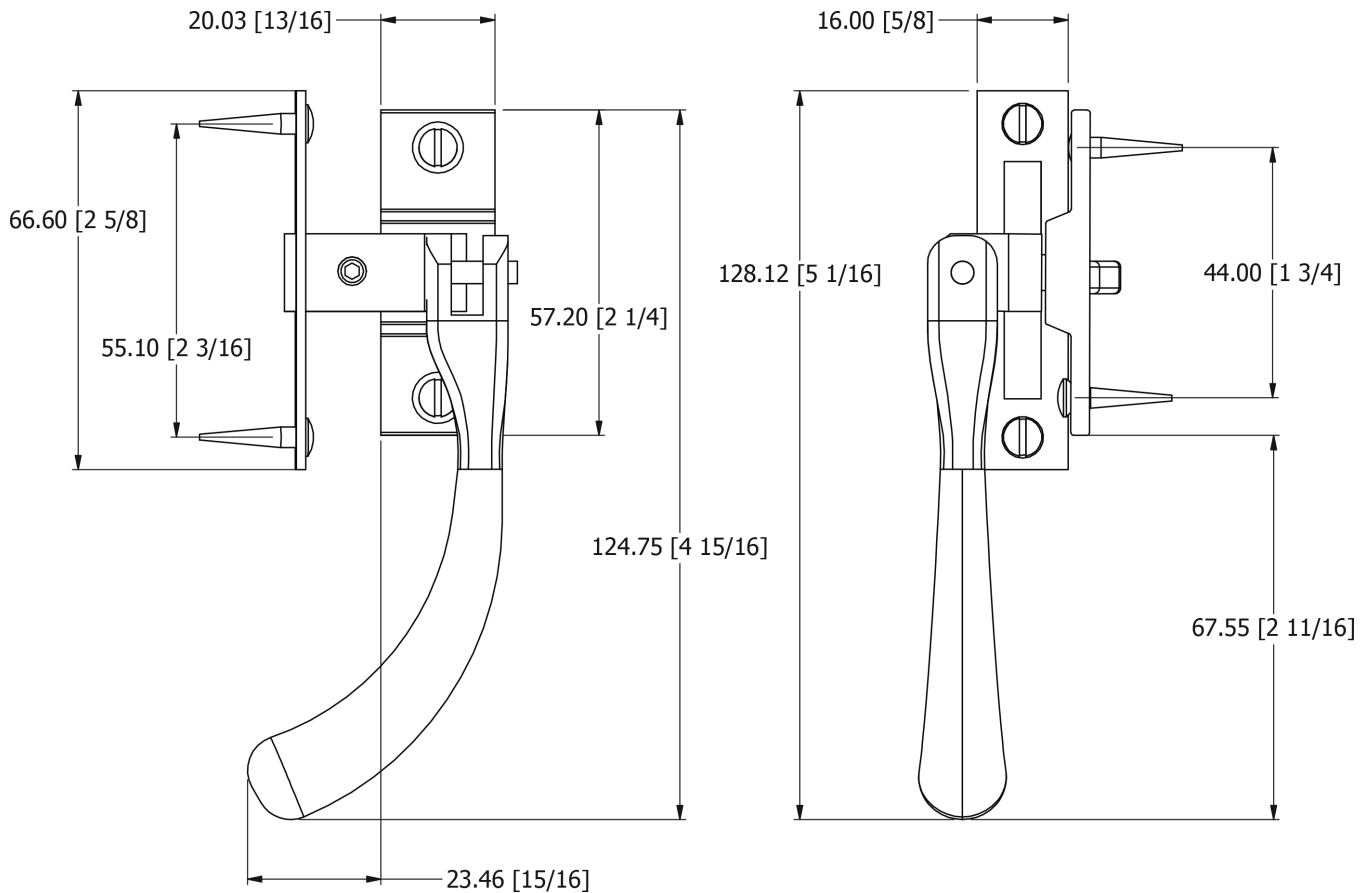
Handle: 4"

Mortice Plate: 2 5/8 x 5/8"

Finishes Available



Specification Drawing



UK Customer Service
Leopold Street
Birmingham
B12 0UJ
Tel: +44 121 766 4200
Email: info@samuel-heath.com

US Customer Service
Federal I.D. No. 58-1504682
Email: usa@samuel-heath.com

Specification Enquiries
Design Centre Chelsea Harbour
1st Floor, North Dome, London
SW10 0XE
Tel: 020 7352 0249
Email: showroom@samuel-heath.com