

SAMUEL HEATH

Product Number: P6974

Description: Contour unsprung door levers, 5"

Technical information

Length: 5" (1 9/16" Projection)

Spindle: 5/16" Slotted



Finishes Available



Chrome Plate



Polished Nickel



Non Lacquered
Brass



Matt Black Chrome



Polished Brass



Satin Nickel



Satin Chrome



Bronze Finish



Antique Brass
Unlacquered

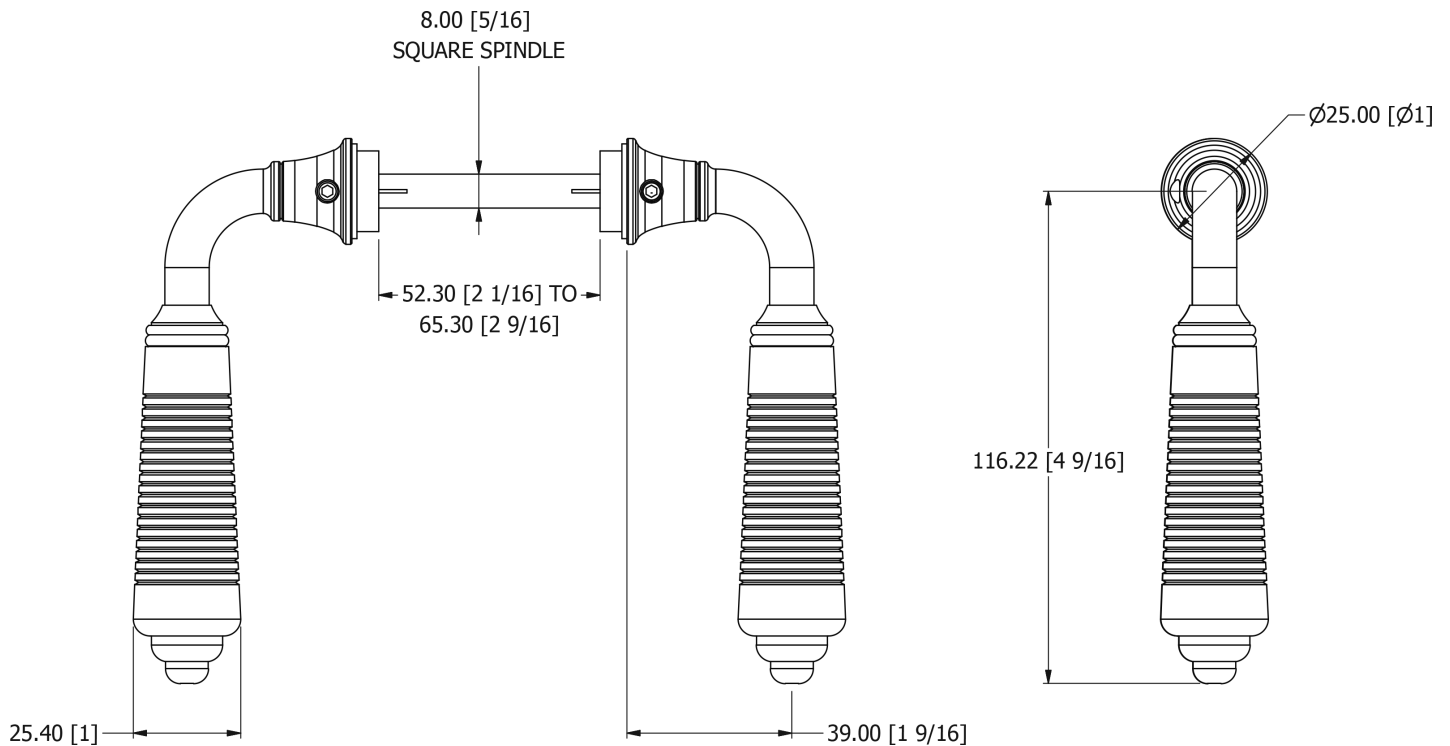


Brushed Gold
Gloss



Brushed Gold Matt

Specification Drawing



UK Customer Service

Leopold Street
Birmingham
B12 0UJ
Tel: +44 121 766 4200
Email: info@samuel-heath.com

US Customer Service

Federal I.D. No. 58-1504682
Email: usa@samuel-heath.com

Specification Enquiries

Design Centre Chelsea Harbour
1st Floor, North Dome, London
SW10 0XE
Tel: 020 7352 0249
Email: showroom@samuel-heath.com